

BRUSH CHIPPER

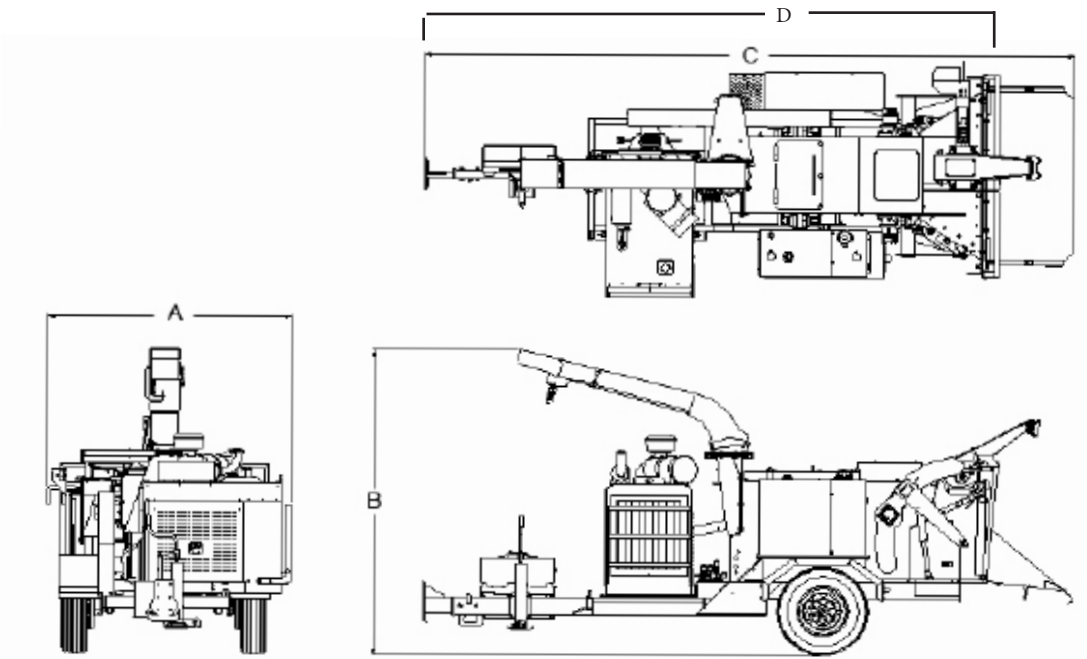


Specification

Operating weight	7,200 lbs. (2,359kg)
Chipping capacity	16" (33 cm)
Gross engine power	99-140 hp (63-74 kw)
Engine options	Caterpillar - John Deere

Features

- ▶ 24" wide by 37" diameter full pocket cutting drum
- ▶ 15" high by 24" wide chipper opening
- ▶ Programmable reverse auto feed governor
- ▶ Hydraulic lift and crush on feed wheel
- ▶ Telescoping tongue
- ▶ 360 degree hand crank swivel discharge
- ▶ 10,000 lbs. drop leg jack



DIMENSIONS

A Overall Width	72" (183cm)
B Overall Height	102" (259cm)
C Overall Length	206" (523cm)
D Transport Length	176" (447cm)
Weight	7200lbs. (3,258kg)

STANDARD / OPTIONAL EQUIPMENT

	Standard	Optional
Full pocket Knife Drum	X	
Staggered Knife Drum		X
Chute Turn	Hand Crank	Hydraulic Turn
Lift and crush	X	
Emergency stops on infeed sides		X
Drum Access Door	Three bolts	Three bolts/ E stop switch
Vandal Protection Package - Lockable Instrument Cover	X	
Hydraulic Winch		X
PTech electronic clutch		X
Hydraulic front jack		X
Front Radiator Gard		X
Height Adjustable Chute	3 position/ with tools	Turnbuckle adjustable
Strobe Light		X

www.terexwoodsman@terex.com

Product specifications and prices are subject to change without notice or obligation. The photographs and/or drawings in this document are for illustrative purposes only. Refer to the appropriate Operator's Manual for instructions on the proper use of this equipment. Failure to follow the appropriate Operator's Manual when using our equipment or to otherwise act irresponsibly may result in serious injury or death. The only warranty applicable to our equipment is the standard written warranty applicable to the particular product and sale and Terex makes no other warranty, express or implied. Products and services listed may be trademarks, service marks or trade-names of Terex Corporation and/or its subsidiaries in the USA and other countries. All rights are reserved. Terex is a registered trademark of Terex Corporation in the USA and many other countries.

© 2011 Terex Corporation.

Terex Woodsman
1250 Commerce Drive
Farwell, MI 48622 USA
Tel +1 (989) 588-4295
terexwoodsman.sales@terex.com